

Vectis Universal Adaptor

**VECTIS
PLUS +**

Features

- Universal insert solution for the Vectis Locking system
- Stylish adaptor to convert current handles suited to profile cylinders to function with the Vectis Locking System
- Unique patented key guide system for use with all door profile materials.
- Integral patented shutter system to give PAS 023 compliance
- Suitable for use with most Ikon Classic and Regency, Hoppe Atlanta and Tokyo handles, and Fab and Fix handles (MPL fixing points only - 92mm centres)
- Available in a range of finishes to suite
- Suitable for PVC-u, aluminium, composite and timber doors
- Fixing jig available
- 10 year performance guarantee

Revolutionary Design

Vectis Universal is a practical solution designed to complement current LSH, Hoppe and Fab and Fix door furniture for use with the new Vectis multi-point locking system.

A stylish option for the continued use of LSH, Hoppe or Fab and Fix door furniture, the inserts have been designed to slot directly under the existing handle back plate replacing the profile cylinder with minimal routing.

Designed with an internal patented key guide mechanism to guide the key into the lock and a unique integral shutter system, the Vectis Universal range ensures excellent weather sealing and has been designed to meet the requirements of PAS 023 – air, wind and water tests.

Available in four finishes satin chrome, polished chrome, satin gold and polished gold, the inserts are sold as an additional item. Please refer to the individual handle data sheets for further information on handle options.



Patented Product

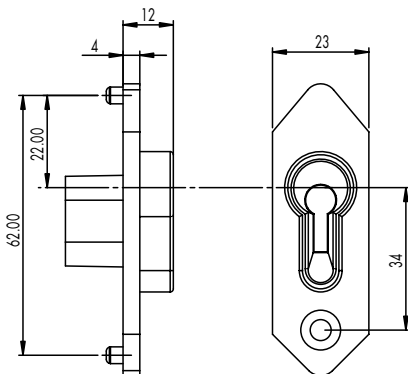
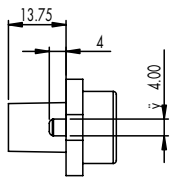
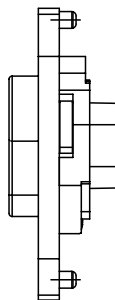
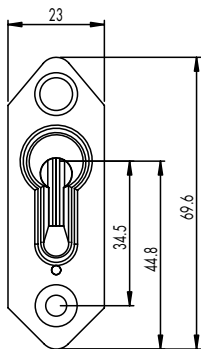
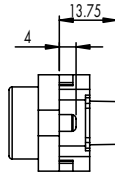


The Door Lock People



**10 YEAR
GUARANTEE**

Vectis Universal Adaptor



Product Codes

VECTIS UNIVERSAL				
Insert	Polished Chrome	Satin Chrome	Polished Gold	Satin Gold
Standard Pack	DAVCH0001	DAVSA0001	DAVPG0001	DAVGA0001
Bulk Pack	DAVCH0002	DAVSA0002	DAVPG0002	DAVGA0002

FIXING JIG
DAVJG0001

Technical Information

All products are subject to endurance testing designed to guarantee long-term trouble-free performance.	
Corrosion resistance:	Please refer to individual handle data sheets for further information
Operation:	Please refer to individual handle data sheets for further information

Material Specification

Handle Grip & Back Plate:	Please refer to individual handle data sheets for further information
Internal Key Cassette:	ABS
Insert Finish:	Satin Chrome, Polished Chrome, Satin Gold, Polished Gold
Handle Finish:	Please refer to individual handle data sheets for further information
Screw:	Please refer to individual handle data sheets for further information
Spindle:	Please refer to individual handle data sheets for further information

Packaging Information

ITEM	STANDARD PACK	BULK PACK
Satin Gold	100 sets per box	250 sets per box
Polished Gold	100 pairs	250 sets per box
Satin Chrome	100 pairs	250 sets per box
Polished Gold	100 pairs	250 sets per box
	Min Qty - 10 sets	Min Qty - 250 sets

Maintenance

All handles should be lightly lubricated twice per year and the surface cleaned with a soft damp cloth to remove any dust or grime, taking care not to scratch the surface.

It is the responsibility of the door manufacture to ensure that the finished product meets any required safety and performance specification.

The manufacturers reserve the right to modify any features stated within this data sheet without prior notice.

The manufacturer uses materials in the manufacture of its products which may be environmentally recycled at the end of their useful life in accordance with a commitment to BS EN ISO 14001:1996

All dimensions are in mm and are nominal.